



PENSTOCKS
DAMPERS



TELESCOPIC VALVE - VT -

"General information"

Industrial area "Asteasu", sector A pavillon 4, 20159, ASTEASU (GIPUZKOA) SPAIN Tel: (+34) 943 69 61 31 Fax: (+34) 943 69 62 39

Bidapro -VT- is a telescopic valve, with circular section and connection by flange, designed to regulate the level of the fluid.

Mainly used in waste water treatment plants or any hydraulic work where you need to regulate the water level

Characteristics:

Bidapro's telescopic valve has got circular section and a lineal sliding system. The application is composed by an external cylindric body in which another cylinder (obturator) with different diameter, slides in the body through a EPDM circular seat.

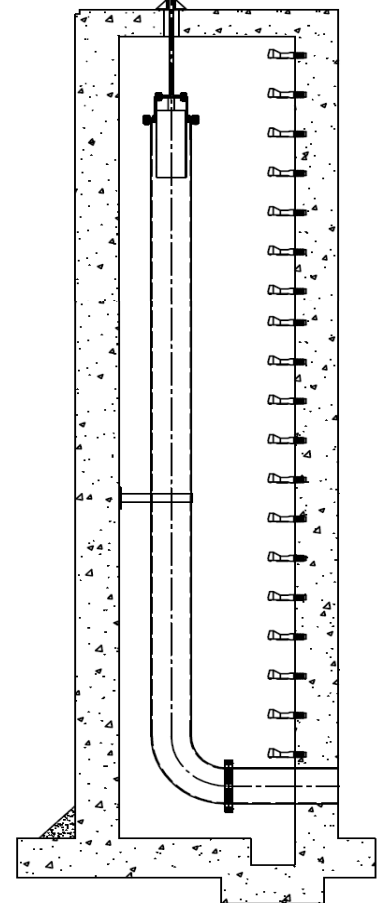
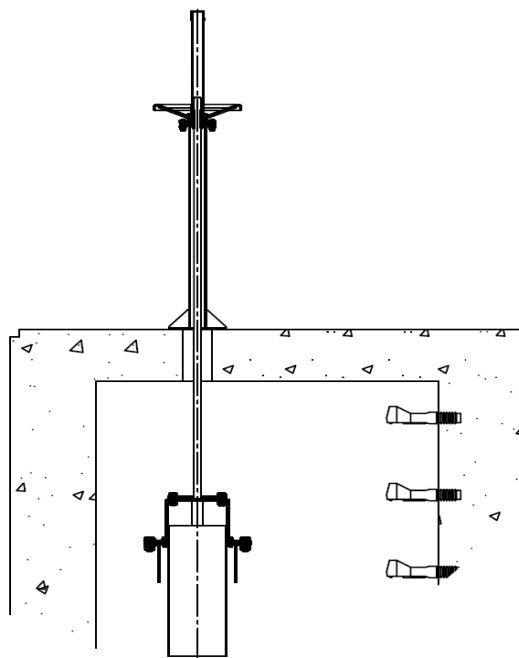
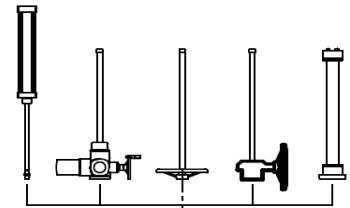
The upper part of obturator is fixed to a stem that is linked to the actuator which is placed on a pedestal support.

Telescopic valve is a welded product to be installed in a pipe by PN10 flanges

It could be supplied in different materials

Standard dimensions range from 200x200 to 500x500

Others dimensions upon request



Materials:

Body: carbon steel / AISI 304 / AISI 316

Obturator: carbon steel / AISI 304 / AISI 316

Seal: EPDM / Nitrile

Column: carbon steel / AISI 304 / AISI 316

Extension and Guides: carbon steel / AISI 304 / AISI 316

Spindle: AISI 303 / AISI 304 / AISI 316

Actuator Nut: bronze

Special materials like AISI 904L, upon request



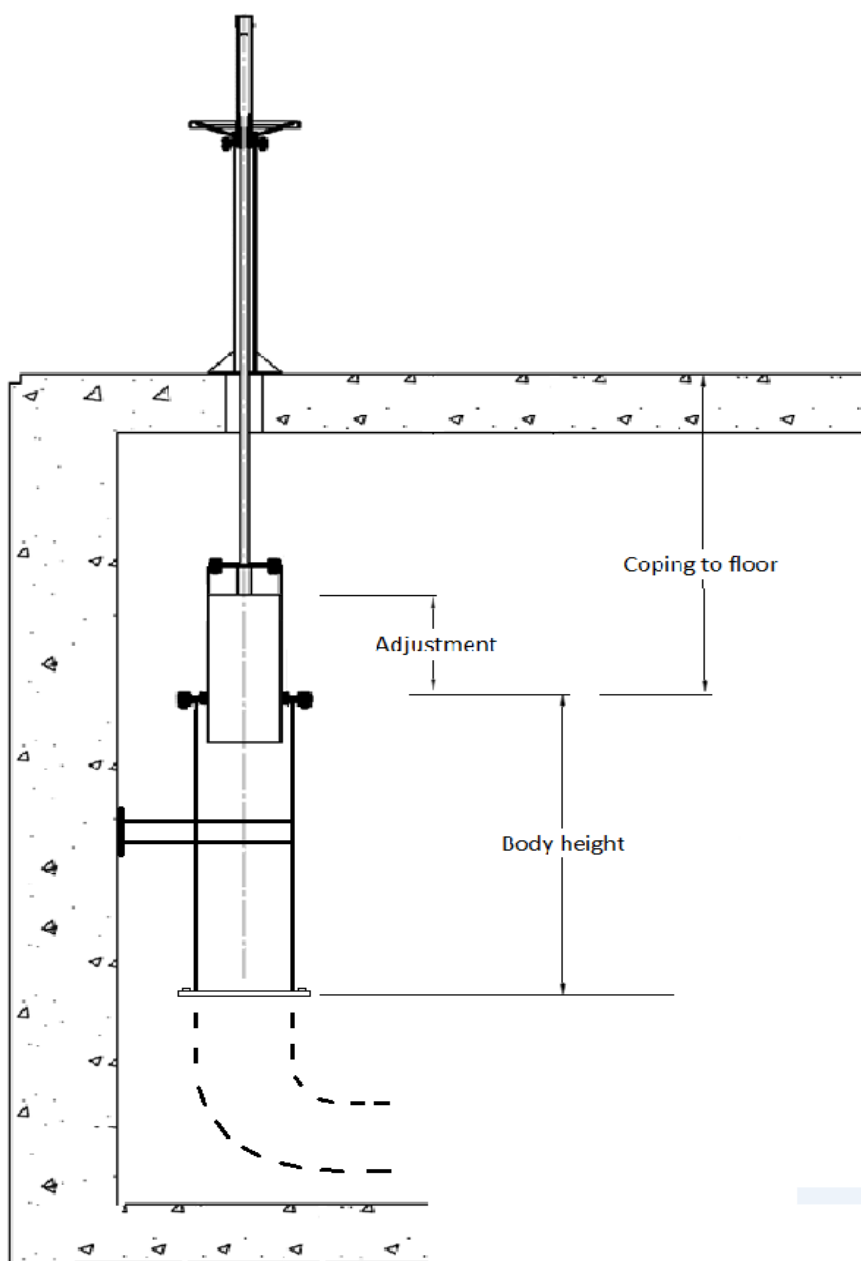
PENSTOCKS
DAMPERS



TELESCOPIC VALVE - VT -

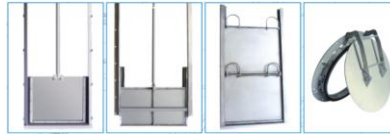
"Quotation data"

Industrial area "Asteasu", sector A pavillon 4, 20159, ASTEASU (GIPUZKOA) SPAIN Tel: (+34) 943 69 61 31 Fax:(+34) 943 69 62 39





PENSTOCKS
DAMPERS



TELESCOPIC VALVE - VT -

"Instructions and maintenance"

Industrial area "Asteasu", sector A pavillon 4, 20159, ASTEASU (GIPUZKOA) SPAIN Tel: (+34) 943 69 61 31 Fax: (+34) 943 69 62 39

Installation

- The valve will be installed in vertical position perfectly aligned with the actuator.
- Be careful to not produce any damage to the body, to avoid alignment issues with obturator and discharge pipe;

Maintenance

- Check the EPDM seal and change it in case of deterioration;
- Change the seal:
 - Take out the obturator by turning the handwheel anticlockwise;
 - Unscrew the flange of the seal;
 - Take out the seal ring and replace it with an original Bidapro seal ring;
 - Mount the seal flange;
 - Grease the seal;
 - Turn the handwheel clockwise to insert the obturator.
- NOTE: It's important to check the alignment of the obturator and the body
- BIDAPRO does not take any responsibility for a valve not properly installed

Instructions

- Turn the handwheel clockwise or anticlockwise to get the water level desired